

# R3601SB-R3605SB

High Efficiency Condensing Boilers



[www.confas.com.au](http://www.confas.com.au)



CONSOLIDATED  
**FIRE & STEAM**

# R3601SB-R3605SB



## Word-class innovative features:

- Compact dimensions and light weight
- High efficiency up to 108.4%
- Low water content
- Low NOx emissions 11.5mg/kWh
- Up to 8 boilers in cascade
- Standard and split system boilers (with 2 return connections) available
- Working pressure 8bar
- 5 year warranty with service plan uptake

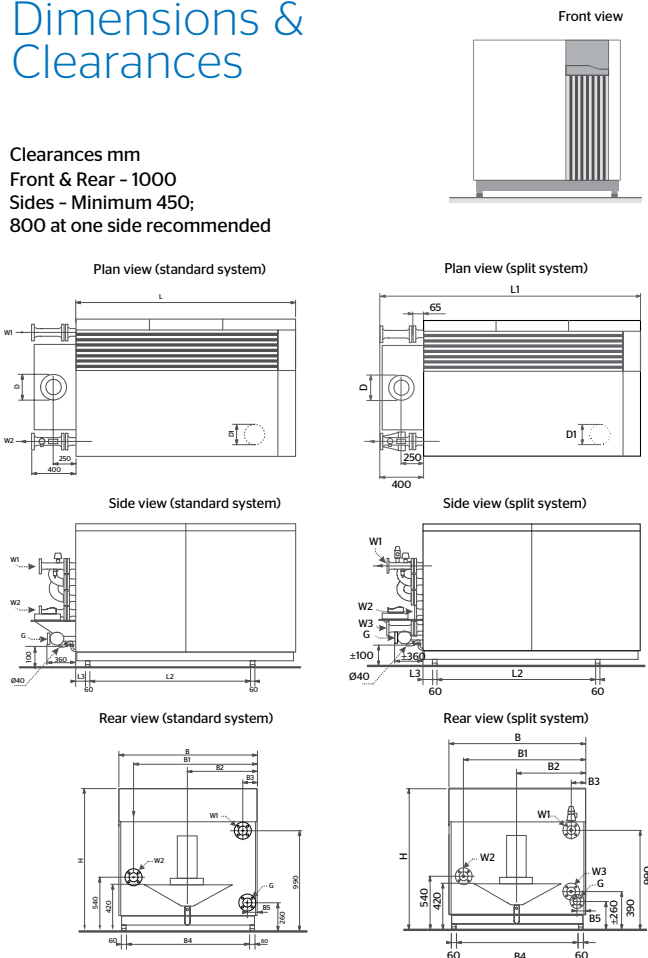


## Technical Data

Boiler Model		R3601SB	R3602SB	R3603SB	R3604SB	R3605SB
Nominal heat output 80/60°C	kW	183-639	213.1-747	241.5-846	270-945	298.4-1043
Nominal heat output 50/30°C	kW	192.1-671	223.7-784	253.5-888	283.4-992	313.2-1095
Nominal heat input (gross)	kW	207.5-724.8	241.9-848	274.1-960.1	306.3-1072.2	338.5-1183.2
Nominal heat input (net)	kW	187-653	218-764	247-865	276-966	305-1066
Weight empty/full	kg	890/980	1040/1137	1150/1254	1280/1390	1410/1527
Annual efficiency (nng 75/60°C)	%	105.1	105.1	105.1	105.1	105.1
NOx level @ 0% O2 (min/max)	mg/kWh	11.5	11.5	11.5	11.5	11.5

## Dimensions & Clearances

Clearances mm  
 Front & Rear - 1000  
 Sides - Minimum 450;  
 800 at one side recommended



Standard Boilers	R3601SB	R3602SB	R3603SB	R3604SB	R3605SB
B mm	1330	1130	1130	1330	1330
B1 mm	1210	1003	1053	1203	1253
B2 mm	665	565	565	665	665
B3 mm	120	127	77	127	77
B4 mm	1146	946	946	1146	1146
B5 mm	65	115	65	115	65
D mm	300	350	350	400	400
D1 mm	250	300	300	355	355
G mm	Rp2"	Rp2"	Rp2"	DN65 PN6	DN65 PN6
H mm	1405	1405	1405	1405	1405
L mm	1670	2043	2043	2048	2048
L2 mm	700	1166	1166	1166	1166
L3 mm	108	88	88	88	88
W1	DN65 PN16	DN80 PN16	DN80 PN16	DN80 PN16	DN80 PN16
W2	DN65 PN16	DN80 PN16	DN80 PN16	DN80 PN16	DN80 PN16

Split System Boilers	R3601SB	R3602SB	R3603SB	R3604SB	R3605SB
B mm	1330	1130	1130	1330	1330
B1 mm	1210	1003	1053	1203	1253
B2 mm	665	565	565	665	665
B3 mm	120	127	77	127	77
B4 mm	1146	946	946	1146	1146
B5 mm	65	115	65	115	65
D mm	300	350	350	400	400
D1 mm	250	300	300	355	355
G mm	Rp2"	Rp2"	Rp2"	DN65 PN6	DN65 PN6
H mm	1405	1405	1405	1405	1405
L mm	2070	2443	2443	2443	2443
L2 mm	700	1166	1166	1166	1166
L3 mm	108	88	88	88	88
W1 (flow)	DN65 PN16	DN80PN16	DN80PN16	DN80PN16	DN80PN16
W2 (cold return)	DN65 PN16	DN80PN16	DN80PN16	DN80PN16	DN80PN16
W3 (hot return)	DN65 PN16	DN80PN16	DN80PN16	DN80PN16	DN80PN16

