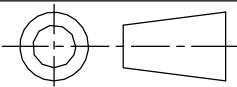
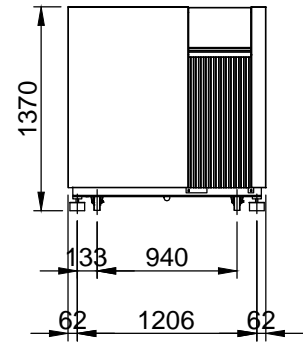
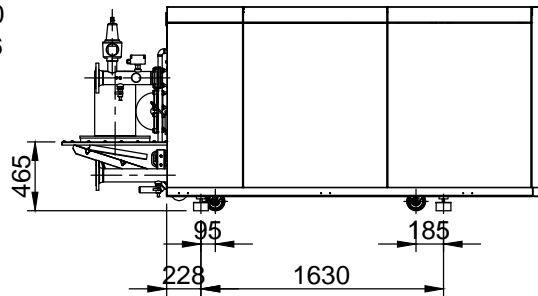
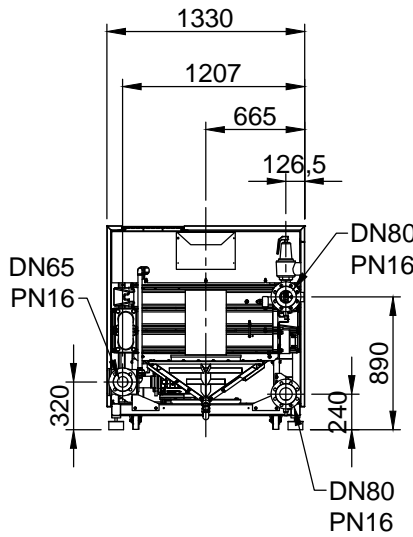
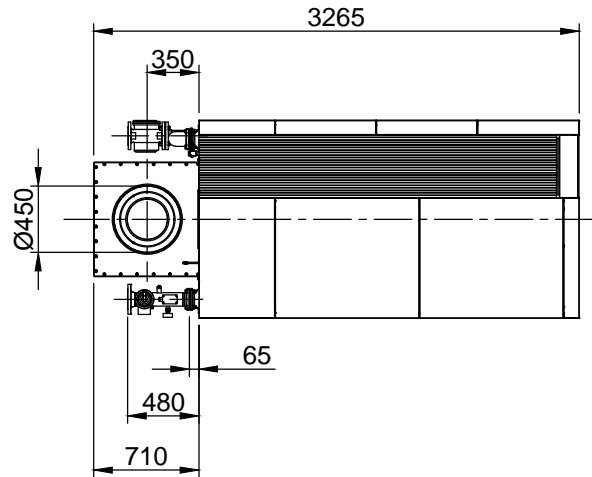


Hot Water Heater



HIGH EFFICIENCY CONDENSING BOILERS



DRAWN TO AS1100:
DO NOT SCALE:
DIMENSIONS
IN MILLIMETERS:



**CONSOLIDATED
FIRE & STEAM**

CONSOLIDATED FIRE & STEAM
32 Research Drive
CROYDON SOUTH
Victoria, Australia, 3136
Ph: +61 (03) 8761 6677
Web: www.confas.com.au

Notice: These drawings are the property of CF&S Pty. Ltd.
These drawings and specifications may not be reproduced, copied
or used as the basis for the manufacture or sale without written
permission from CF&S Pty. Ltd.



Copyright 2005

TITLE: GENERAL DIMENSIONS
R3408 "RENDAMAX" BOILER

SIZE:
A4