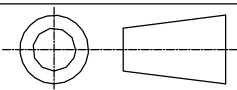
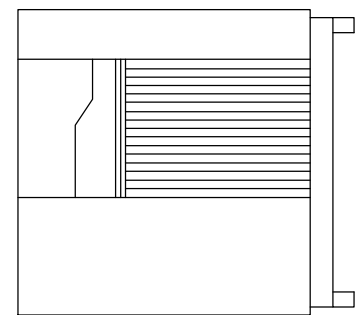
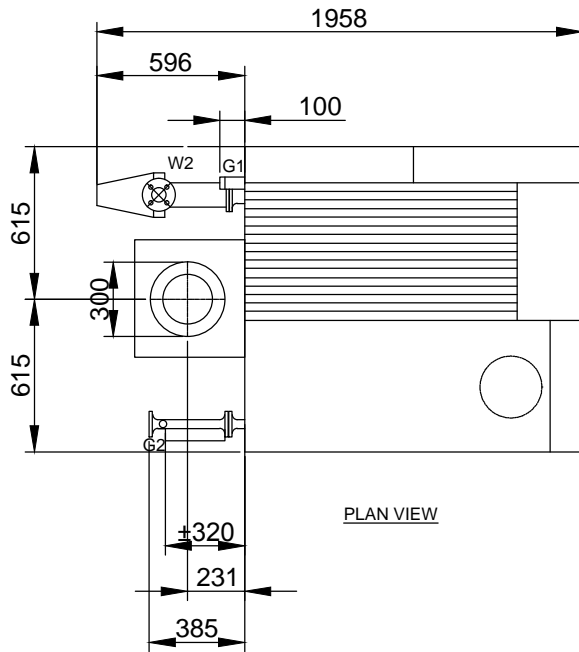
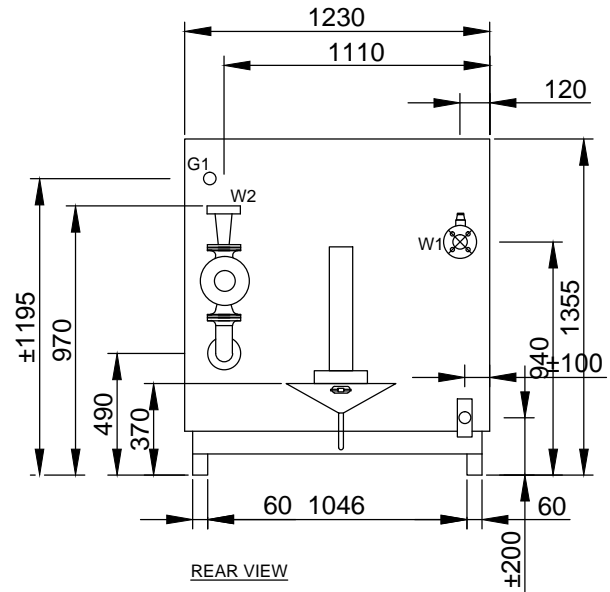
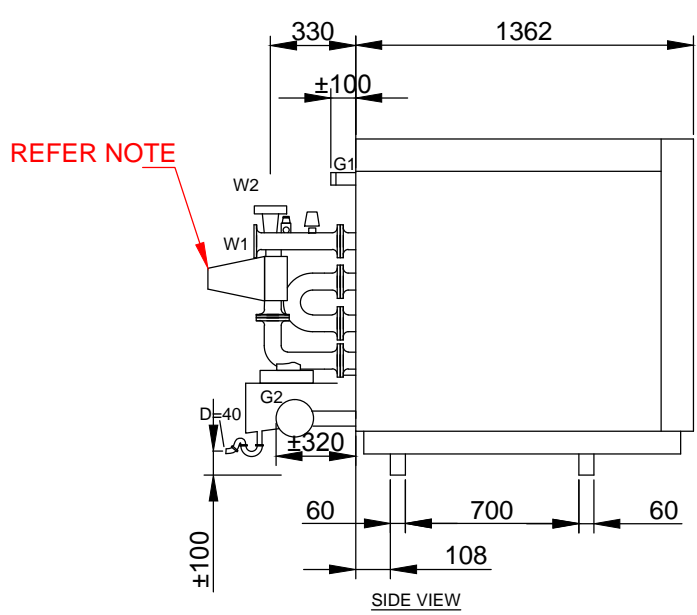


Hot Water Heater



HIGH EFFICIENCY CONDENSING BOILERS



DRAWN TO AS1100:
DO NOT SCALE:
DIMENSIONS
IN MILLIMETERS:



Notice: These drawings are the property of CF&S Pty. Ltd. These drawings and specifications may not be reproduced, copied or used as the basis for the manufacture or sale without written permission from CF&S Pty. Ltd.

CONSOLIDATED FIRE & STEAM
32 Research Drive
CROYDON SOUTH
Victoria, Australia, 3136
Ph: +61 (03) 8761 6677
Web: www.confas.com.au



Copyright 2005

NOTE:
CIRCULATING PUMP
NOT INCLUDED IN
STANDARD SUPPLY.

TITLE: GENERAL DIMENSIONS
R3600 STANDARD BOILER

SIZE:
A4