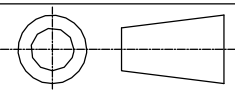
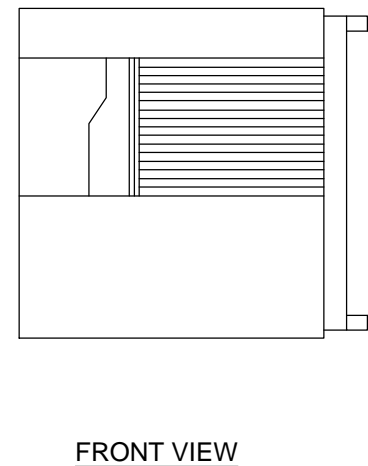
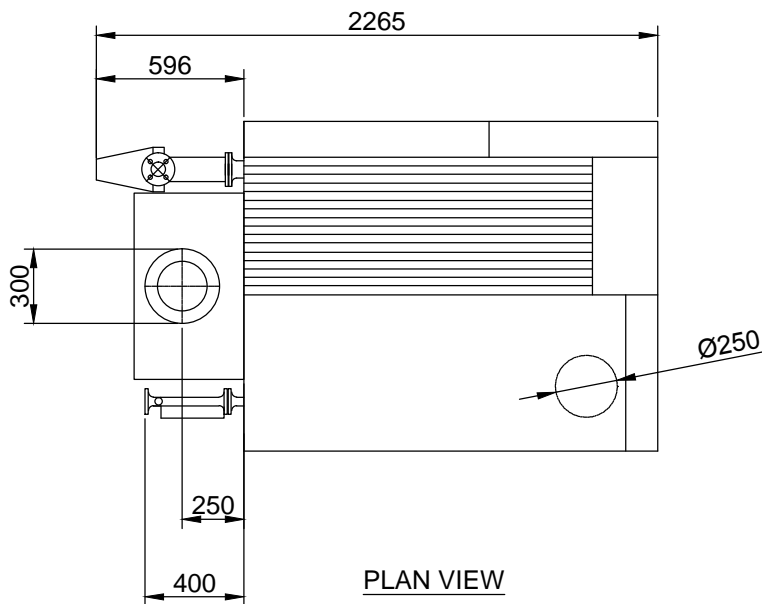
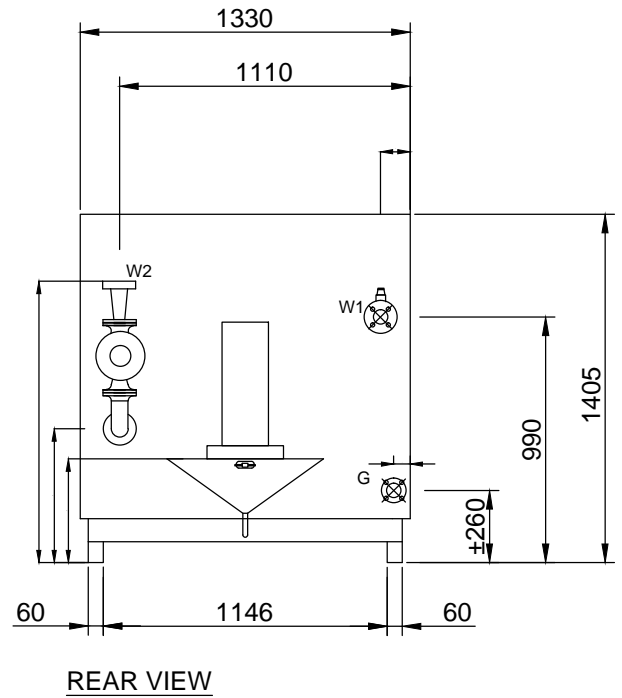
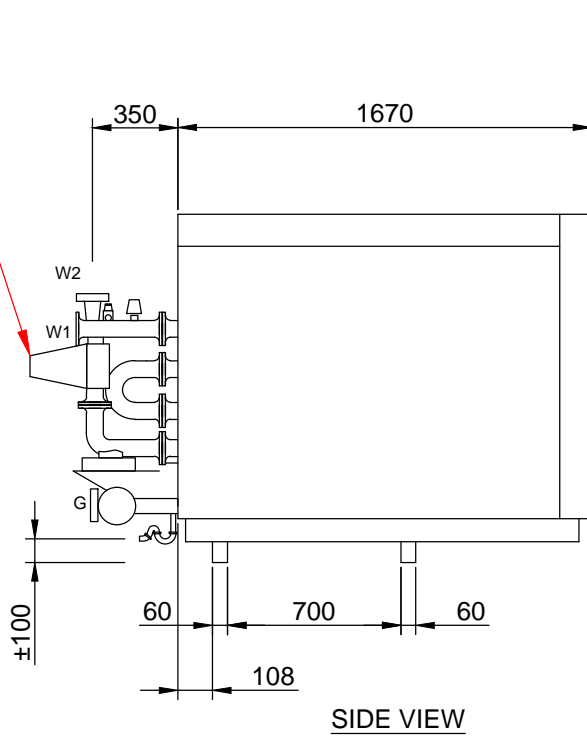


# Hot Water Heater



## HIGH EFFICIENCY CONDENSING BOILERS

REFER NOTE



DRAWN TO AS1100:  
DO NOT SCALE:  
DIMENSIONS  
IN MILLIMETERS:



Notice: These drawings are the property of CF&S Pty. Ltd. These drawings and specifications may not be reproduced, copied or used as the basis for the manufacture or sale without written permission from CF&S Pty. Ltd.

CONSOLIDATED FIRE & STEAM  
32 Research Drive  
CROYDON SOUTH  
Victoria, Australia, 3136  
Ph: +61 (03) 8761 6677  
Web: www.confas.com.au



Copyright 2005

**NOTE:**  
CIRCULATING PUMP  
NOT INCLUDED IN  
STANDARD SUPPLY.

TITLE: GENERAL DIMENSIONS  
R3601SB STANDARD BOILER

SIZE:  
**A4**